

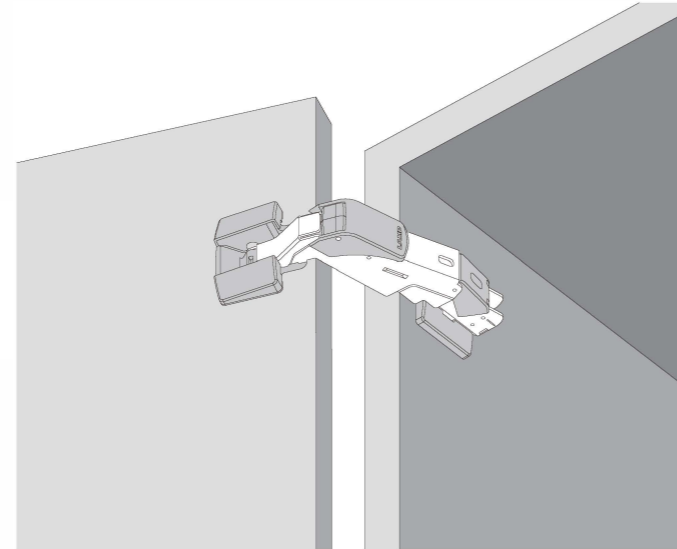
LAMP



Heavy-duty Wide angle concealed hinge

Installation instructions

Thank you for selecting our product. Before starting installation, please read this manual thoroughly to ensure correct installation.



ABOUT THE PRODUCT

Concealed hinge with wide opening angle of 160° for heavy door applications (25 kg/2 pcs. 40 kg/3 pcs.)

way adjustment with door installed

FOR YOUR SAFE WORK AND CORRECT INSTALLATION

Meaning of symbols

	Warning Caution		Prohibited		Required
--	------------------------	--	-------------------	--	-----------------

⚠ If not followed, injury or damage may result.

! This lateral swing door system is a part for furniture or architectural fittings. make sure to test the finished product thoroughly to ensure that it is well-functioning and safe.

! Make sure to follow the designated dimensions, specifications, and horizontal/vertical angles. Make sure that the cabinet is not warped, since it may affect the movement of the door.

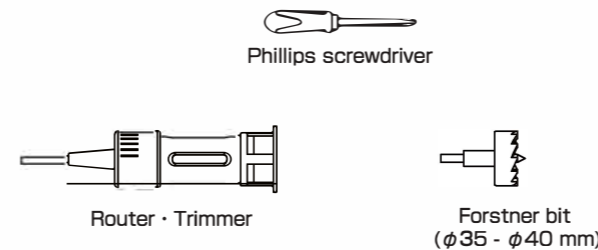
! It is necessary to manufacture the cabinet with sufficient strength so that it endures the weight of the door and any impact upon opening/closing the door. A cabinet with poor strength or loose screws might result in the door falling and causing injury.

! Make sure to check the screws for slack at regular intervals (one month from first usage, half a year, and then one time every year is recommended).

PARTS LIST

No.	①	②	③	④	⑤	⑥
	Hinge Main body	Mounting Plate	Hinge Cover L	Hinge Cover R	Mounting Plate Cover	(5×18) Screw
Parts						
Quantity	1 (pc.)	1 (pc.)	1 (pc.)	1 (pc.)	1 (pc.)	8 (pcs.)

■ Tool required for installation



SPECIFICATION

No. of hinges	2	3
Door height	MAX. 2400 mm	MAX. 2400 mm
Door width	MAX. 800 mm	MAX. 900 mm
Door weight	MAX. 25 kg	MAX. 40 kg

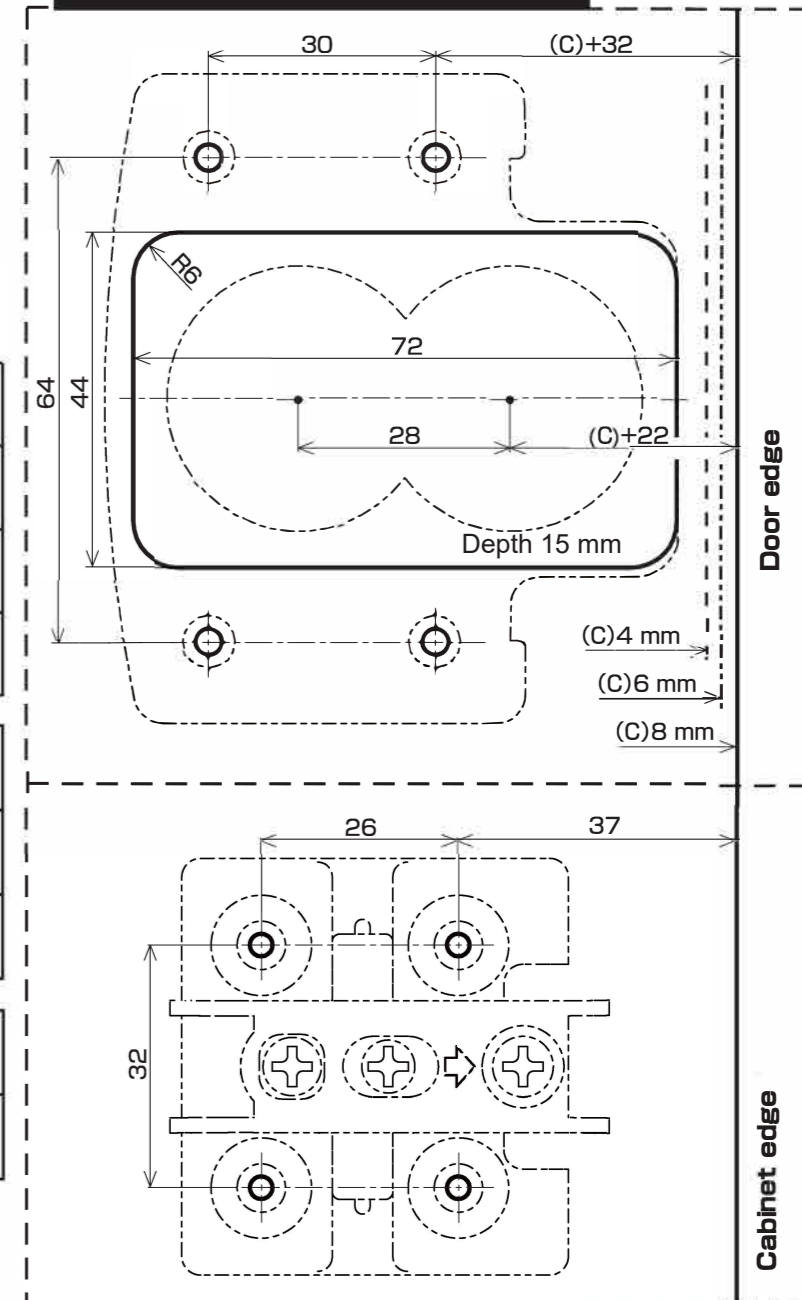
Adjustment	Vertical adjustment	±3 mm
	Overlay adjustment	+0 , -4 mm
	Depth adjustment	+1.5 , -2.5 mm

Door edge to bore edge distance(C)	3	4	5	6	7	8
Overlay distance	20	21	22	23	24	25

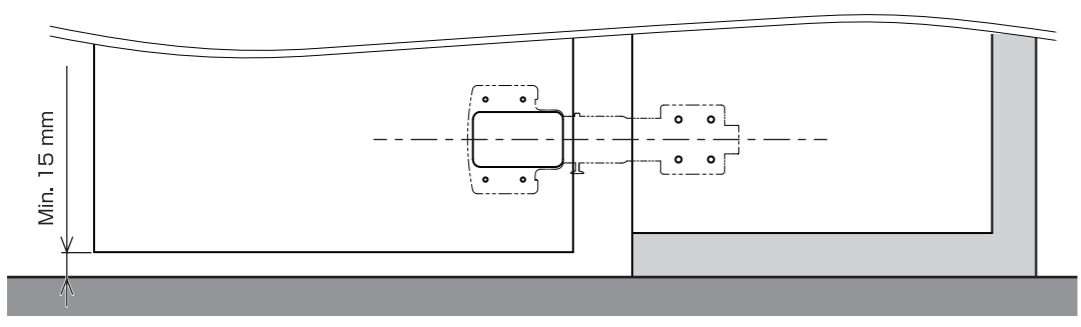
■ Operating temperature 0°C ~ 40°C

※The closing speed of the door may vary with ambient temperature. This is not a mechanical problem.

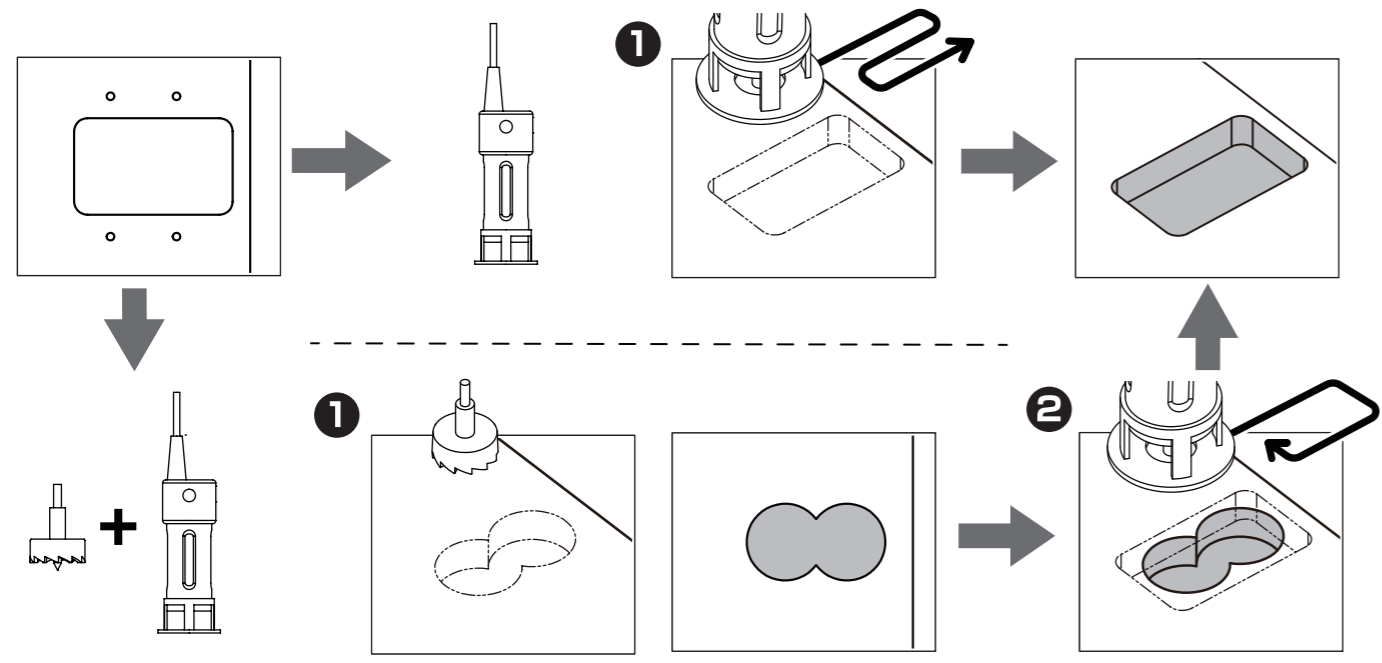
CUTOUT TEMPLATE



CLEARANCE

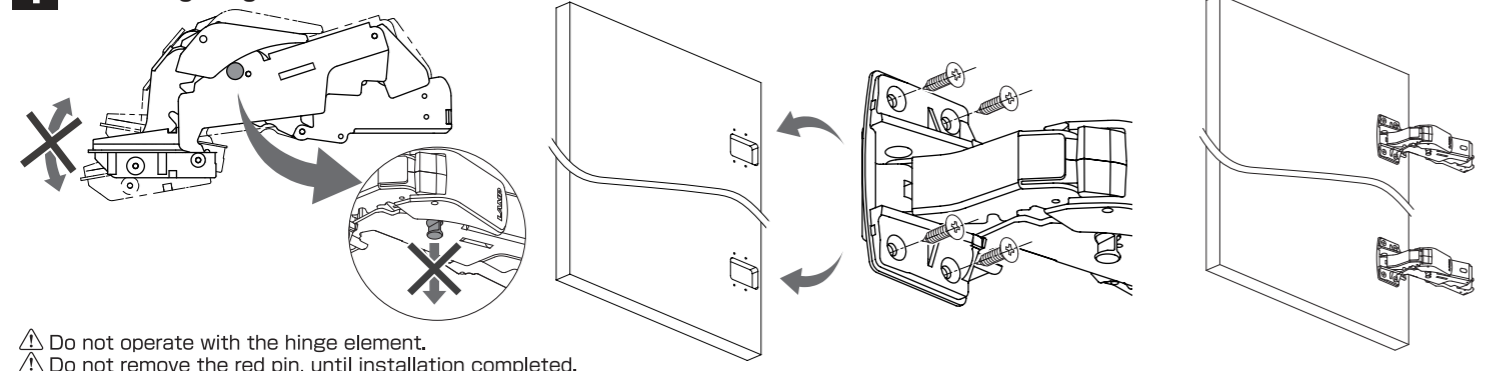


PROCESS THENOTCH PART

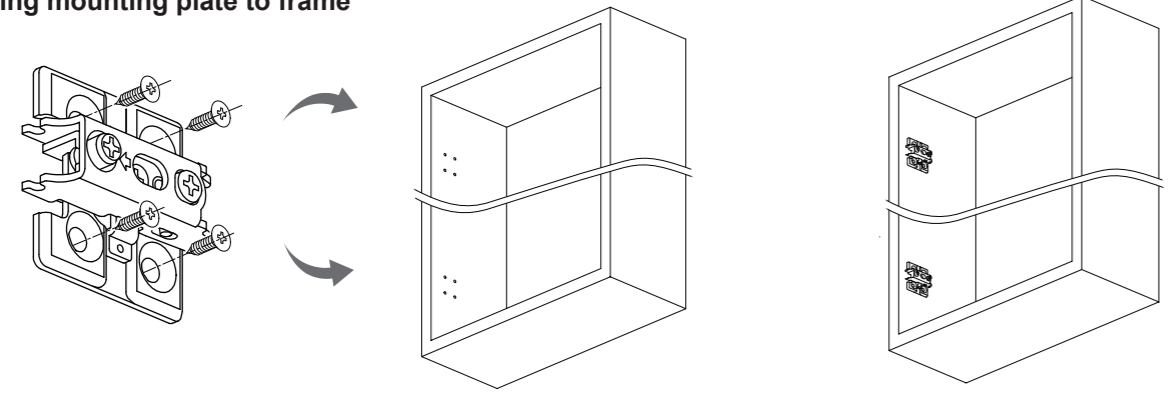


INSTALLATION

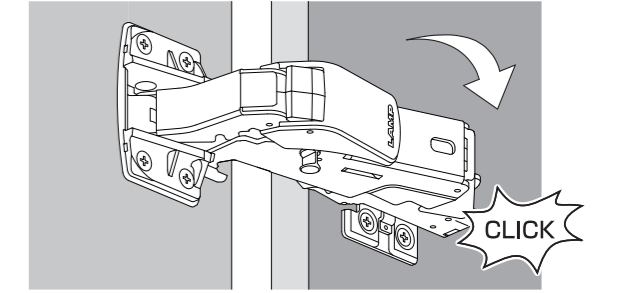
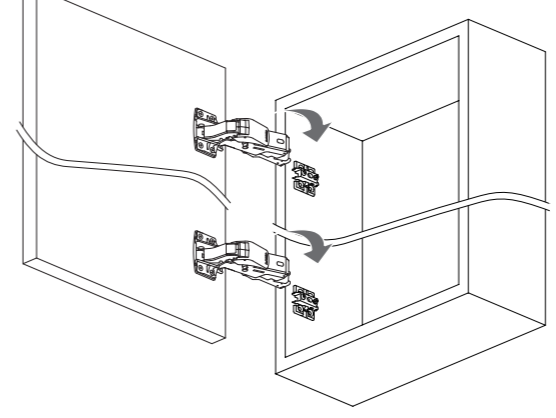
1 Installing hinge to door



2 Installing mounting plate to frame

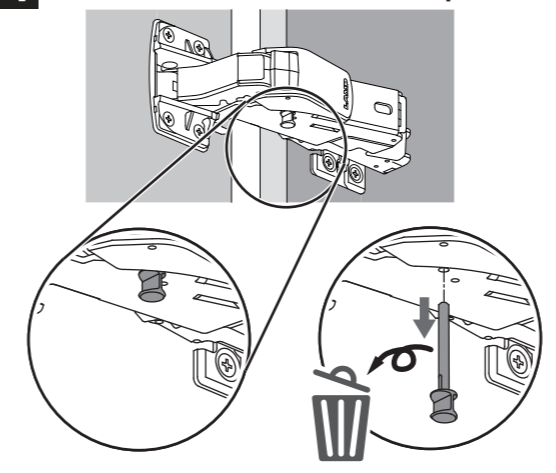


3 Hanging door

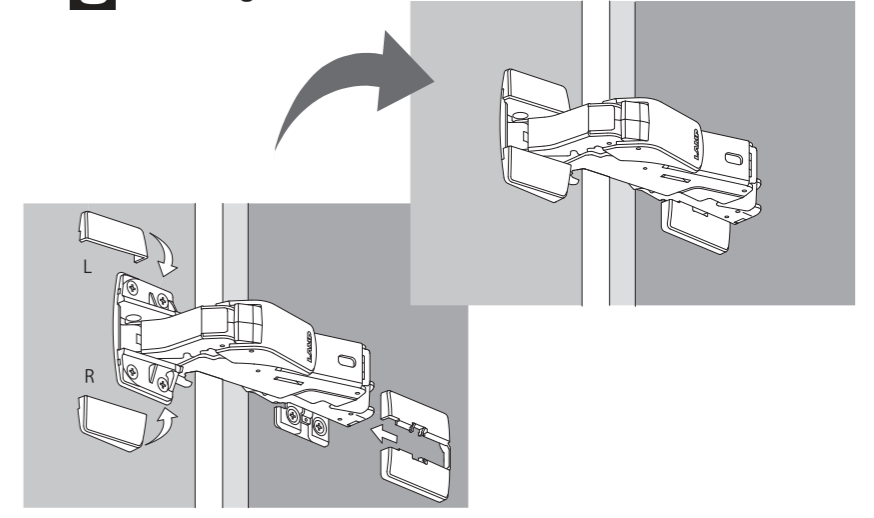


⚠ Please ensure to snap-on the hinge completely. Incomplete fixation may cause door falling accident.

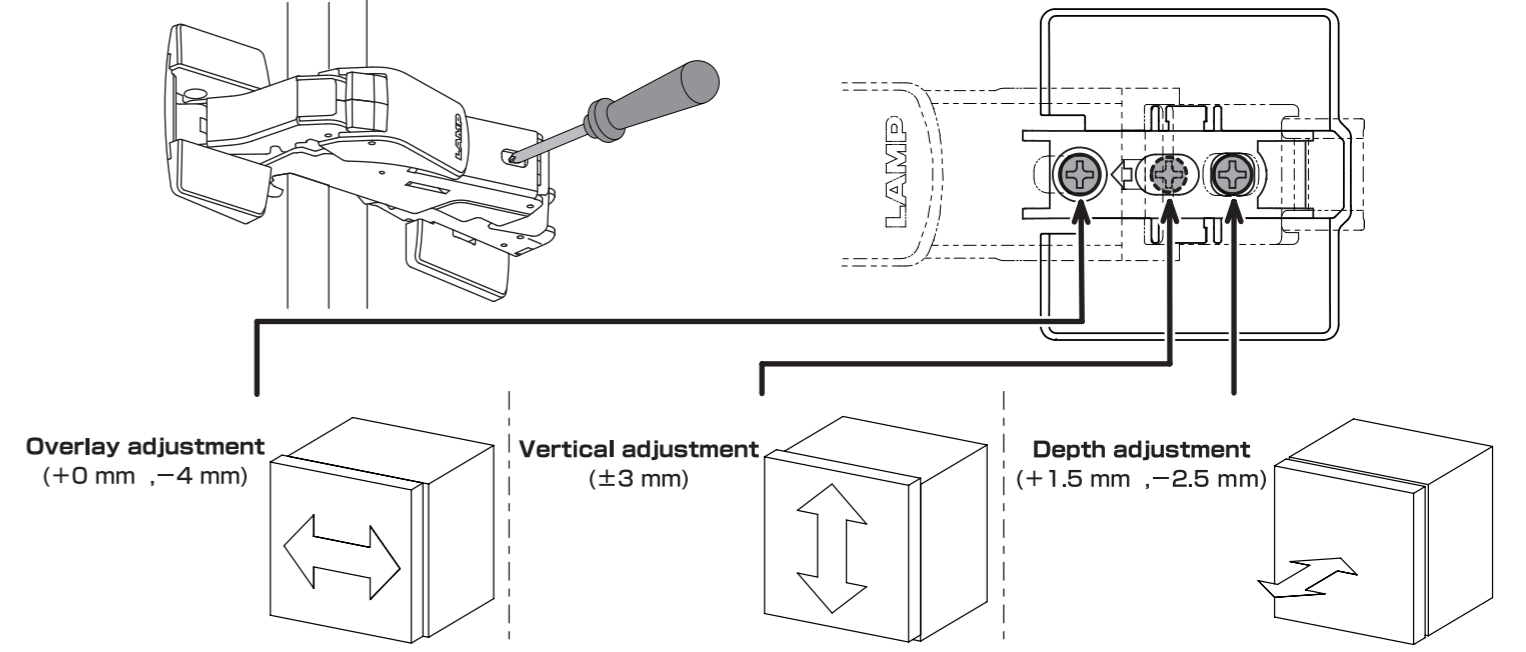
4 Remove and discard the fixed pin



5 Installing covers



ADJUSTMENT



HOW TO REMOVE

