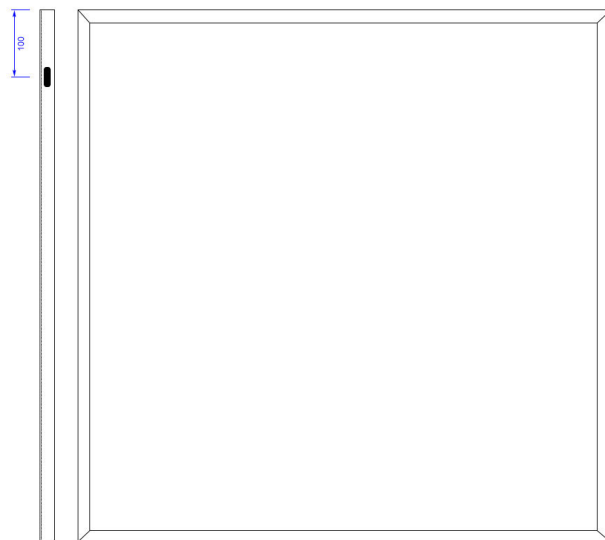


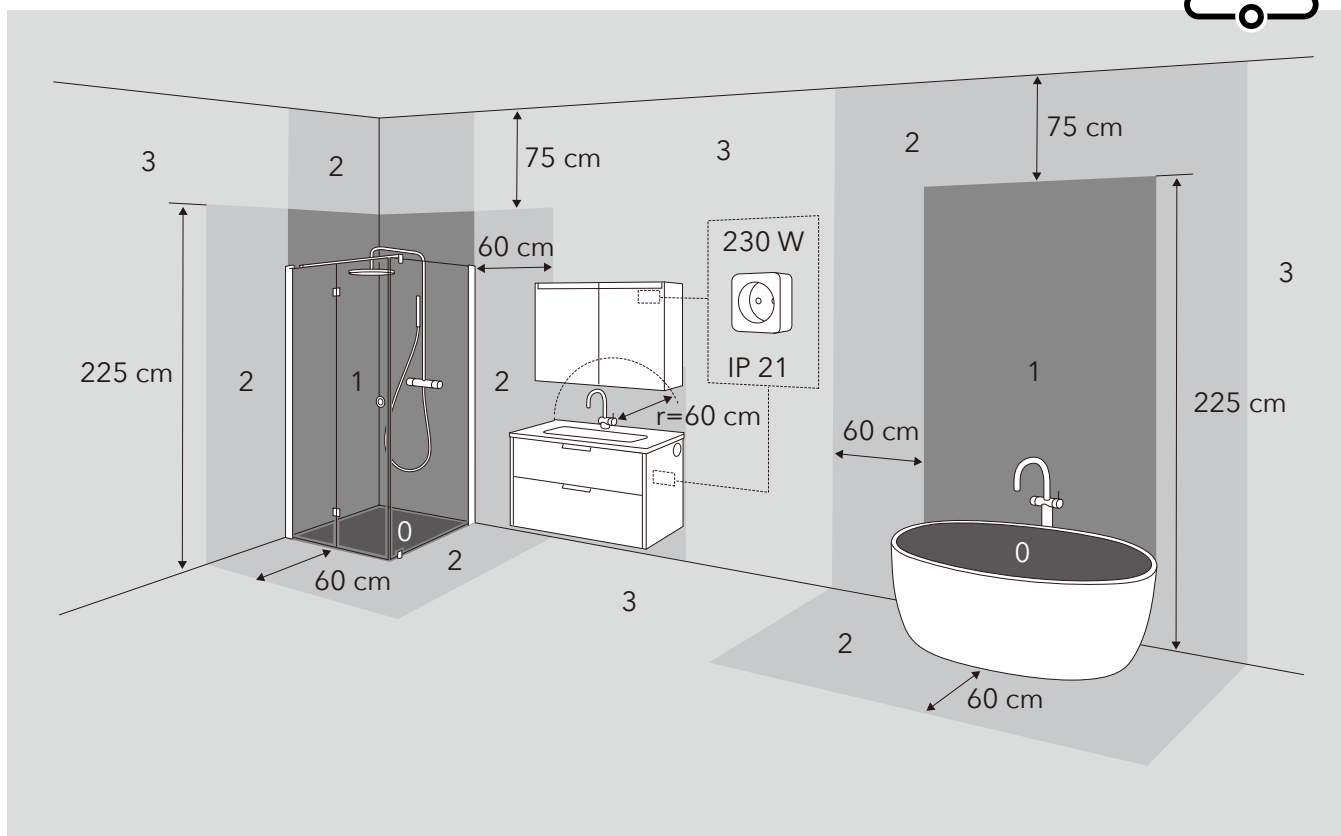
Roelens nv
Laagstraat 38
9140 Temse

BLACK MIRROR 4 PROFILES



Back Side View attention ! Drawing version with sensor

IP-zoner | IP zones



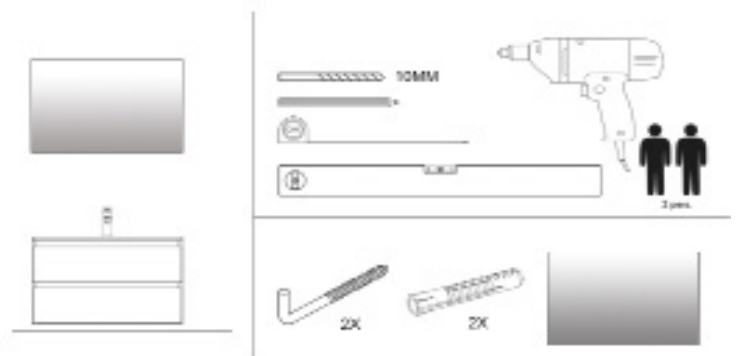
This luminaire can only be used in volumes 2- The Mirror is IP44 - Luminaries in zone 2 should be X4.

Technical Data Sheet

BLACK MIRROR 4 PROFILES

Mounting Instructions

We recommend mounting with 2 persons
Plus use plugs and Screws in Package



Drill 2 holes in wall (solid wall)
position of holes : center to center of the 2
oval holes in the aluminium profile

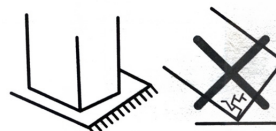


Only use the Oval holes in the alu profiles

Installation **ONLY** by certified installer

Connect the 220 V cable to network

always set the mirror down on a soft foundation,
since edges and corners are very delicate



Maintenance Mirror

Only clean the mirror with water, do not use chemical products, cleaning products. Cleaning with other products as water will result in damage of the mirror (no warranty)

Mounting Instructions

Please look at IP chart (page one), only use the supplied screws, only hang mirror on oval holes in alu profile.

Sensor

Do not put any item closer than 30 cm to the sensor, this will result that the sensor will go in security

warranty

there is a 2 years warranty on the electrical components of the mirror, starting from the production date of the mirror (date on label on back of mirror)

Exceptions warranty

the warranty is not valid for broken mirrors, weathering in the mirror, big scratches in mirror or in alu profile caused by the client

Packing

The mirror is supplied in a solid carton, with protection corners, please keep the corners on the mirror until you have fully mounted the mirror. Never put the mirror on the floor without a protection under the mirror as it can damage the mirror.

Utilisation Mirror with sensor

Sensor On/Off

wave with hand under sensor for on / off

Sensor with dimmer / colour change

After the controller detects the motion first time, it turns on the light, and the second time it turns off.

When the light is on, and controller detects the motion for more than 1s, it starts to dim from 100% to 5%, the second time, it brightens from 5% to 100%. When the light is off, and controller detects the motion for more than 1s, it starts to change the color temperature. Defog function: work with defogger.

Memory function: Light will return to last setting before shut off.