

BLUETOOTH INSTRUCTIONS



With the PSLocks App, you can conveniently operate the locks with your smartphone and share your code with others. This works without any cards or keys and even works in metal cabinets.

The code principle

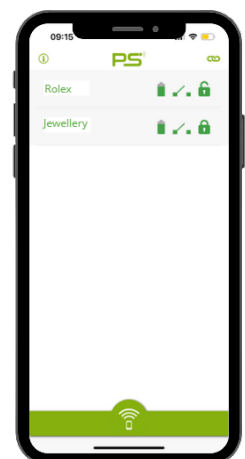
Each lock has a 4-digit user code. Once you have entered the code, you can always use the lock with this phone as far as the user code is not changed. The administrator can change this code.

INSTRUCTION FOR INSTALLATION


Installation

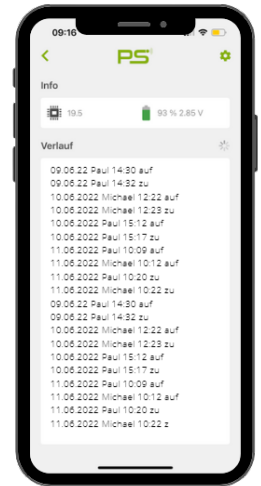
1. Download the "PSLocks" app from the Apple Store | Google Play Store.
2. When the app is downloaded and opened for the first time, a short introduction of the most important content is displayed - for example: Searching for locks | Battery status | Opening and closing, etc.
3. In the next step you can enter your name to be displayed.
4. Then the app searches for locks nearby - all locks within the range will be displayed. (If the lock isn't shown at the beginning, click the symbol in the middle of the green bar at the bottom)
5. When you click on the grey lock icon that is displayed you will be prompted to enter a code, this is by default "1234" and can be changed by the administrator.
6. After entering this code, the lock symbol turns green and is now ready for use.
7. The battery status is displayed, as well as the status of whether the lock or the door is opened or closed.

PSLocks APP



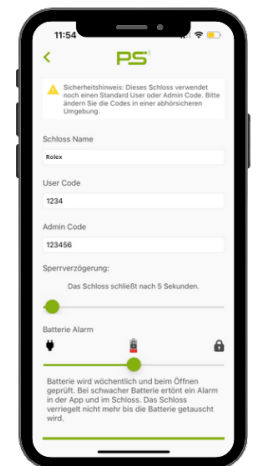
Application

8. Click the lock icon to open or close the lock.
9. Clicking on the name of the lock takes you to the details page of the lock.
10. The history of the locks openings and closings is displayed here. The date | time | name | lock status is displayed. In addition, the battery charge is indicated in percentage and volts.
11. In the upper right corner, you can find the symbol  for settings. by clicking on it, the administrator code is required - this is "123456" by default but can of course also be changed in the administrator field.



Administration

12. In the lock settings (top right corner, when you click on the lock name) you need the 6-digit administrator pin.
13. On this page you can change some settings of the lock.
14. For your own safety we recommend to change the code immediately.
15. If the administrator code has been forgotten, you can reset the lock with the reset button on the backside of the lock. The codes are again set to Standard User | 1234 and Administrator | 123456.
16. Locking delay: here you can adjust how many seconds after opening the lock closes automatically. If the slider is moved all the way to the right, then the lock is in BOLT state and will not close until you click the lock symbol again.
17. The battery alarm slider can be used to select between mains operation, battery or padlock.



Battery - Alarm

18. If the battery has reached a critical state, this message will be displayed when you tap the lock icon and a long beep will sound before the lock opens.
19. Please change the battery immediately.
20. You can still open the lock by clicking OK.
21. the continuous beep can only be stopped by removing the battery and the lock will remain open. If the lock needs to be broken open- you should use the widest possible flat piece of the metal



Firmware Update

22. If you have an old lock, you will see a red Update firmware - this process takes

Group of locks

23. In the latest version of the app, up to 5 locks can be connected to form a group.

This allows to open more than one lock at the same time.

24. To do this, press the icon in the top right corner on the main page.

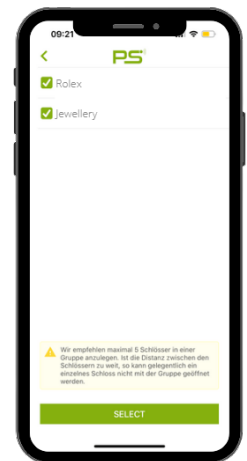
25. All locks within the range are displayed in an overview.

26. Click on the locks that should be added to the group.

27. Then click on SELECT and the group will be created.

Tipp

- If the app isn't working, try to close the app and reopen it – than everything will be restarted
- Bluetooth and your location have to be activated while using the app



4

3

2

1

F

F

E

E

D

D

C

C

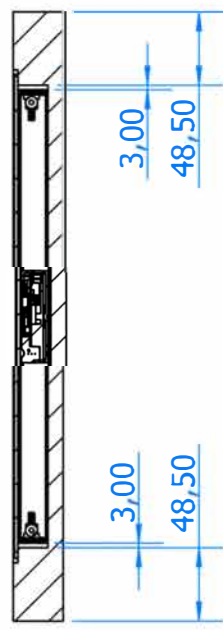
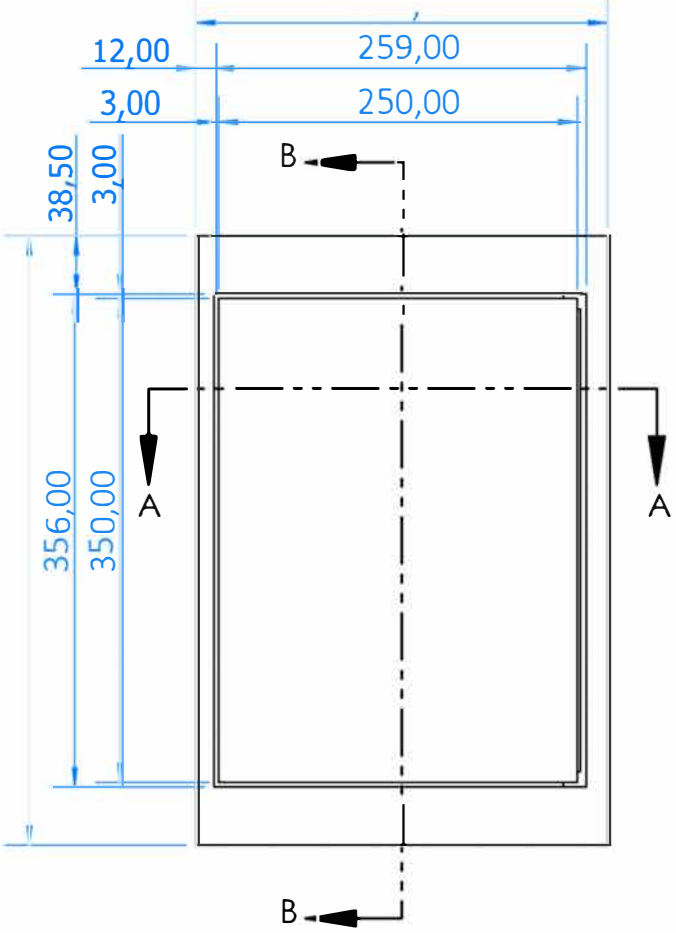
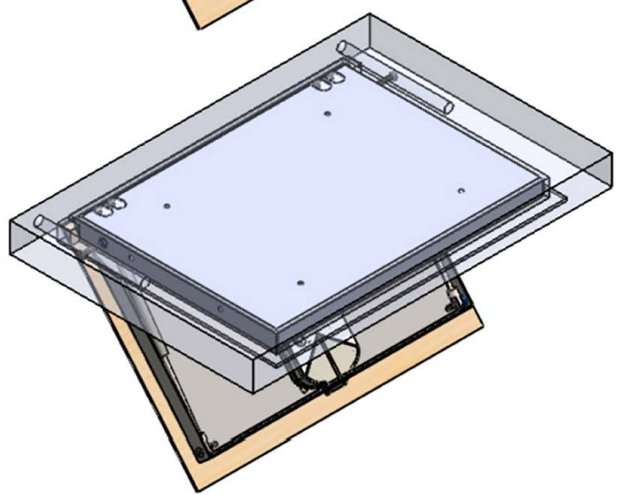
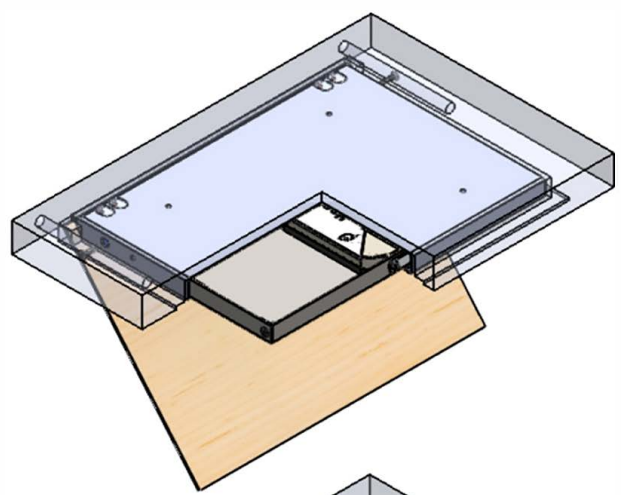
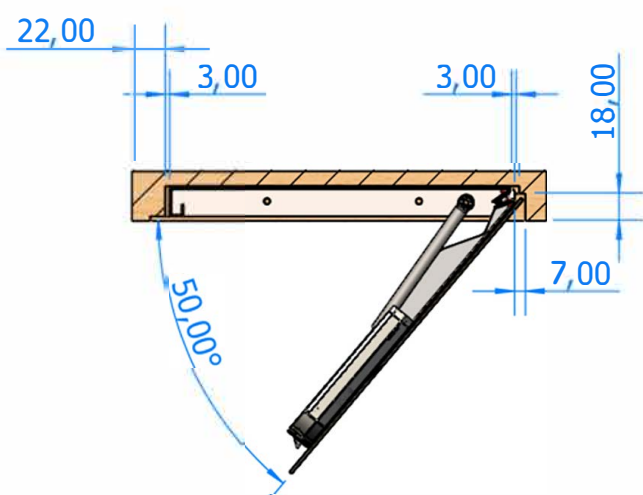
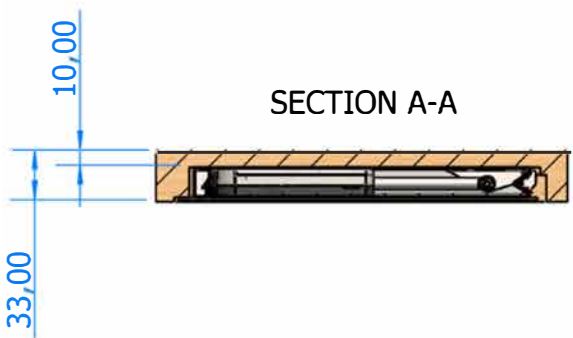
B

B

A

A

SECTION A-A



SECTION B-B

1	-	16/04/2024
2	-	-
3	-	-
4	-	-
9	-	-



PS GmbH - Austria - www.pslocks.com

draw number
DOC-COVER-DIM

F I
- -

europa projection
[trapezoid symbol] [circle with dot symbol]

copyright according to ISO 16016

4

3

2

1

4

3

2

1

F

F

E

E

D

D

C

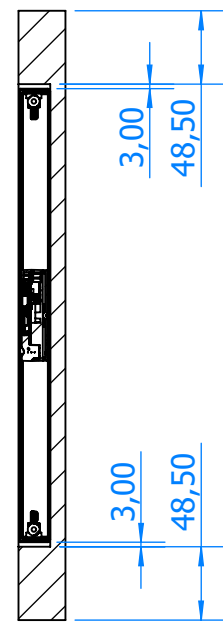
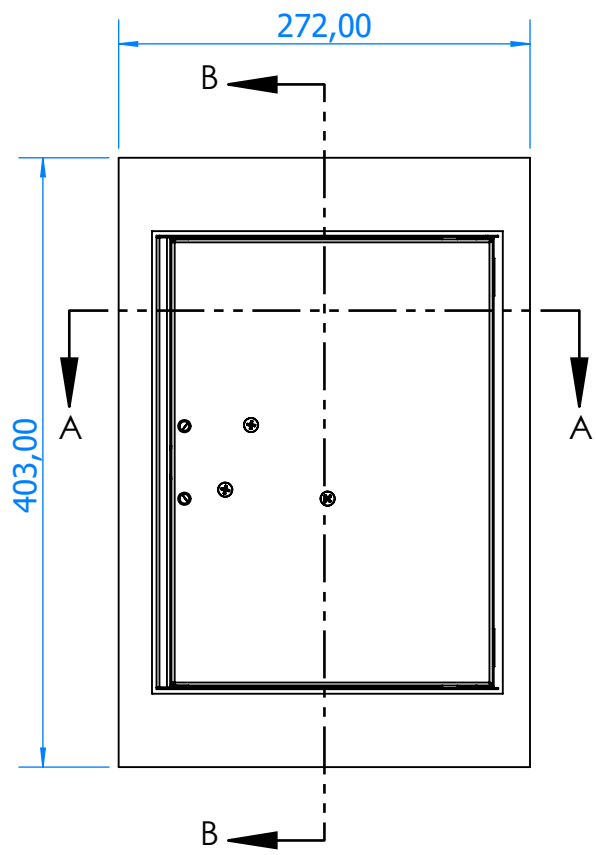
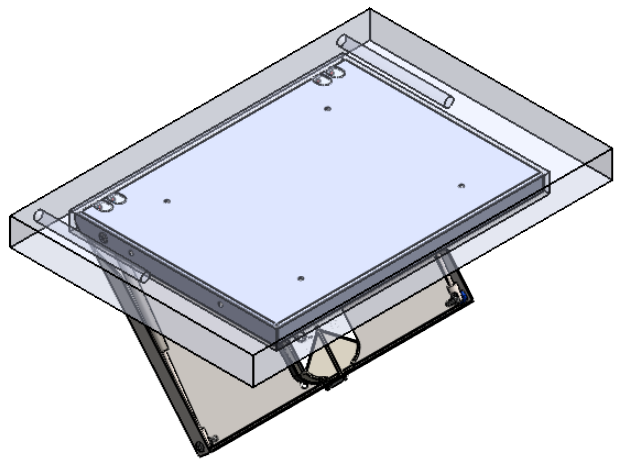
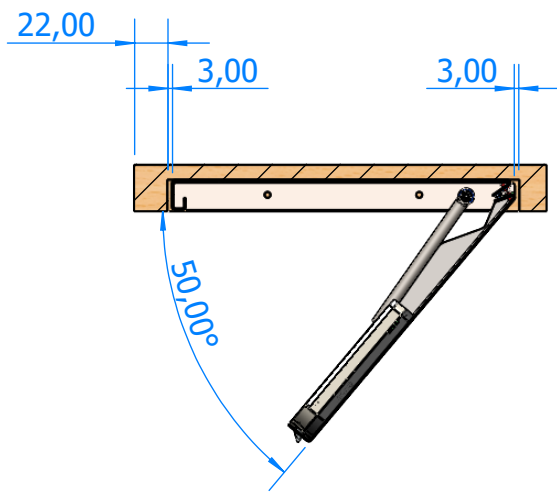
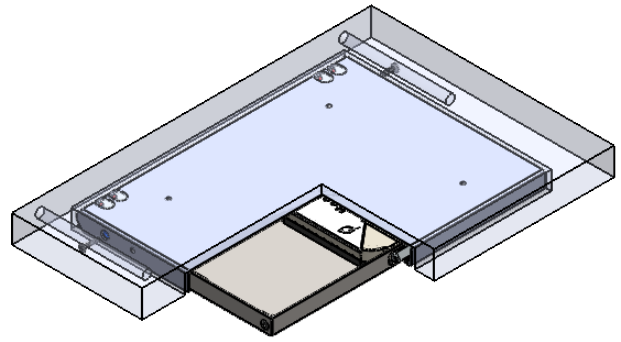
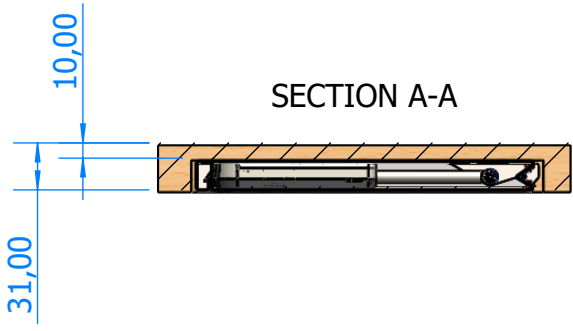
C

B

B

A

A



SECTION B-B

1	-	16/04/2024
2	-	-
3	-	-
4	-	-
9	-	-

draw number
DOC-CASING-DIM

F I
 - -

europaean projection

copyright according to ISO 16016

4

3

2

1